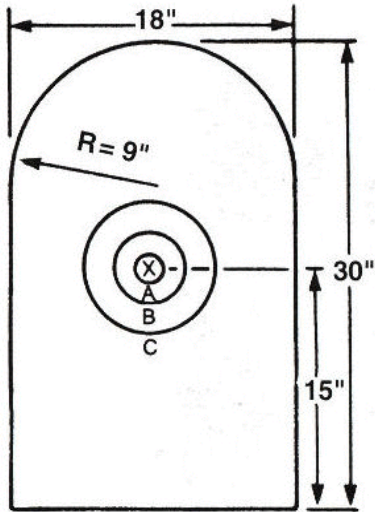
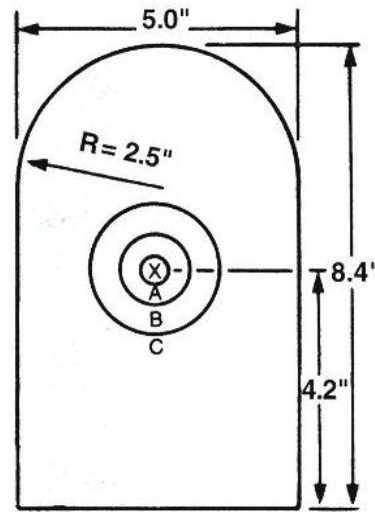


ACTION SHOOTING ILLUSTRATIONS



X Black Dot: 4" diam. = Tie Breaker
 A Ring: 8" diam. = 10 points
 B Ring: 12" diam. = 8 points
 C Ring: Remainder = 5 points

Fig 1 - Precision Target
 (Trademarked as the "Bianchi Target")
 NRA No. AP-1 (paper or cardboard)



X Black Dot: 1.12" diam. = Tie Breaker
 A Ring: 2.24" diam. = 10 points
 B Ring: 3.36" diam. = 8 points
 C Ring: Remainder = 5 points

Fig. 2 - Precision Target
 NRA No. AP-2 (paper), reduced.

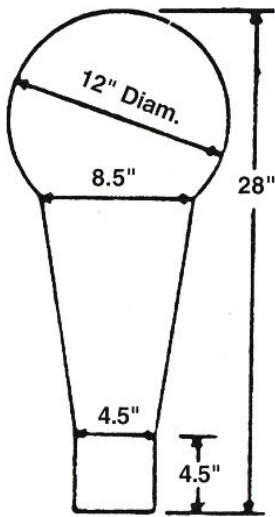


Fig. 3 - Speed Target



Fig. 4 - B-18 Target

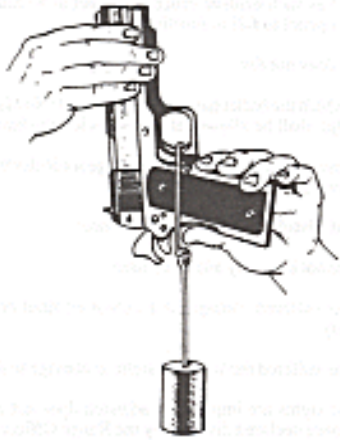


Fig. 5 - Correct Method of Weighing Triggers